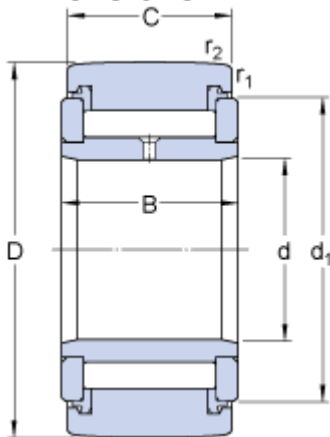


NATV 6 PPA

Dimensions



D	19	mm
d	6	mm
C	11	mm
B	12	mm
d ₁	15	mm
r _{1,2}	min. 0.15	mm

Calculation data

Basic dynamic load rating	C	5.28	kN
Basic static load rating	C	8	kN
Fatigue load limit	P _u	0.88	kN
Maximum dynamic radial loads	F _r	max. 5.1	kN
Maximum static radial loads	F _{0r}	max. 7.35	kN
Limiting speed		4000	r/min

Mass

Mass support roller		0.021	kg
---------------------	--	-------	----