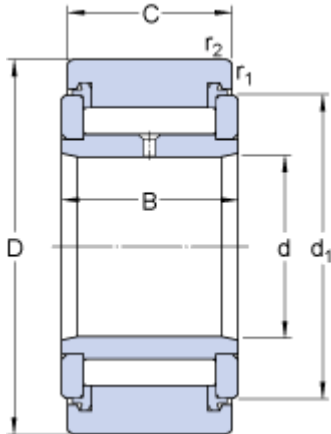


# NATV 40 PPXA

## Dimensions



D	80	mm
d	40	mm
C	30	mm
B	32	mm
d <sub>1</sub>	66	mm
r <sub>1,2</sub>	min. 1.1	mm

## Calculation data

Basic dynamic load rating	C	39.1	kN
Basic static load rating	C	88	kN
Fatigue load limit	P <sub>u</sub>	11	kN
Maximum dynamic radial loads	F <sub>r</sub>	max. 51	kN
Maximum static radial loads	F <sub>0r</sub>	max. 73.5	kN
Limiting speed		950	r/min

## Mass

Mass support roller		0.83	kg
---------------------	--	------	----