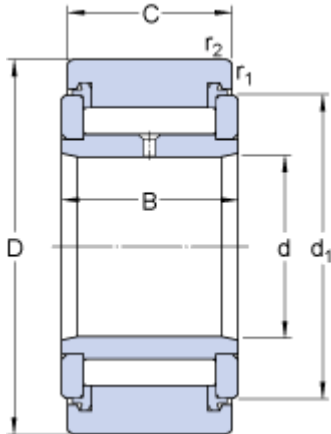


# NATV 30 PPXA

## Dimensions



D	62	mm
d	30	mm
C	28	mm
B	29	mm
d <sub>1</sub>	51	mm
r <sub>1,2</sub>	min. 1	mm

## Calculation data

Basic dynamic load rating	C	29.2	kN
Basic static load rating	C	62	kN
Fatigue load limit	P <sub>u</sub>	7.65	kN
Maximum dynamic radial loads	F <sub>r</sub>	max. 34.5	kN
Maximum static radial loads	F <sub>0r</sub>	max. 49	kN
Limiting speed		1400	r/min

## Mass

Mass support roller		0.47	kg
---------------------	--	------	----