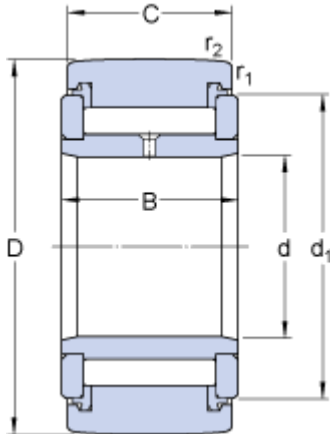


NATV 30 PPA

Dimensions



D	62	mm
d	30	mm
C	28	mm
B	29	mm
d ₁	51	mm
r _{1,2}	min. 1	mm

Calculation data

Basic dynamic load rating	C	29.2	kN
Basic static load rating	C	62	kN
Fatigue load limit	P _u	7.65	kN
Maximum dynamic radial loads	F _r	max. 34.5	kN
Maximum static radial loads	F _{0r}	max. 49	kN
Limiting speed		1400	r/min

Mass

Mass support roller		0.47	kg
---------------------	--	------	----