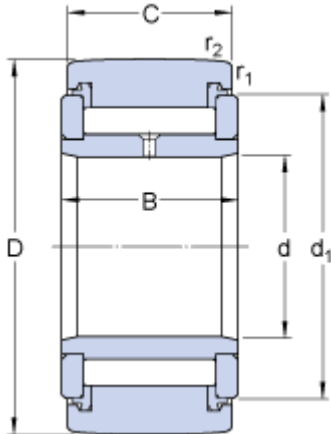


# NATV 20 PPA

## Dimensions



D	47	mm
d	20	mm
C	24	mm
B	25	mm
d <sub>1</sub>	36.5	mm
r <sub>1,2</sub>	min. 1	mm

## Calculation data

Basic dynamic load rating	C	19.4	kN
Basic static load rating	C	41.5	kN
Fatigue load limit	P <sub>u</sub>	5	kN
Maximum dynamic radial loads	F <sub>r</sub>	max. 30.5	kN
Maximum static radial loads	F <sub>0r</sub>	max. 43	kN
Limiting speed		1900	r/min

## Mass

Mass support roller		0.24	kg
---------------------	--	------	----