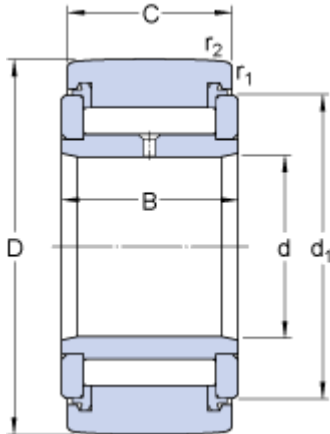


NATV 17 PPA

Dimensions



| | | |
|------------------|--------|----|
| D | 40 | mm |
| d | 17 | mm |
| C | 20 | mm |
| B | 21 | mm |
| d ₁ | 31.5 | mm |
| r _{1,2} | min. 1 | mm |

Calculation data

| | | | |
|------------------------------|-----------------|-----------|-------|
| Basic dynamic load rating | C | 14.2 | kN |
| Basic static load rating | C | 26.5 | kN |
| Fatigue load limit | P _u | 3.1 | kN |
| Maximum dynamic radial loads | F _r | max. 17 | kN |
| Maximum static radial loads | F _{0r} | max. 24.5 | kN |
| Limiting speed | | 2200 | r/min |

Mass

| | | | |
|---------------------|--|------|----|
| Mass support roller | | 0.15 | kg |
|---------------------|--|------|----|