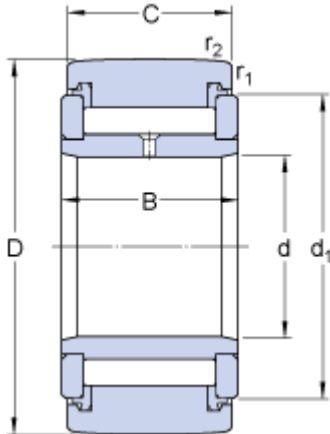


NATV 15 PPA

Dimensions



D	35	mm
d	15	mm
C	18	mm
B	19	mm
d ₁	27.6	mm
r _{1,2}	min. 0.6	mm

Calculation data

Basic dynamic load rating	C	12.3	kN
Basic static load rating	C	23.2	kN
Fatigue load limit	P _u	2.7	kN
Maximum dynamic radial loads	F _r	max. 14.6	kN
Maximum static radial loads	F _{0r}	max. 20.8	kN
Limiting speed		2600	r/min

Mass

Mass support roller		0.1	kg
---------------------	--	-----	----