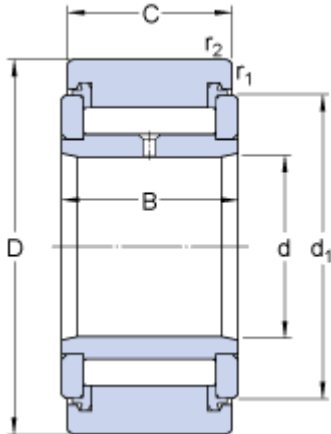


NATV 12 PPXA

Dimensions



D	32	mm
d	12	mm
C	14	mm
B	15	mm
d ₁	25	mm
r _{1,2}	min. 0.6	mm

Calculation data

Basic dynamic load rating	C	9.35	kN
Basic static load rating	C	15.3	kN
Fatigue load limit	P _u	1.76	kN
Maximum dynamic radial loads	F _r	max. 10.6	kN
Maximum static radial loads	F _{0r}	max. 15	kN
Limiting speed		3000	r/min

Mass

Mass support roller		0.069	kg
---------------------	--	-------	----