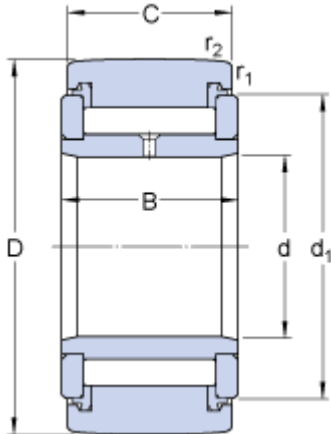


# NATV 12 PPA

## Dimensions



D	32	mm
d	12	mm
C	14	mm
B	15	mm
d <sub>1</sub>	25	mm
r <sub>1,2</sub>	min. 0.6	mm

## Calculation data

Basic dynamic load rating	C	9.35	kN
Basic static load rating	C	15.3	kN
Fatigue load limit	P <sub>u</sub>	1.76	kN
Maximum dynamic radial loads	F <sub>r</sub>	max. 10.6	kN
Maximum static radial loads	F <sub>0r</sub>	max. 15	kN
Limiting speed		3000	r/min

## Mass

Mass support roller		0.069	kg
---------------------	--	-------	----