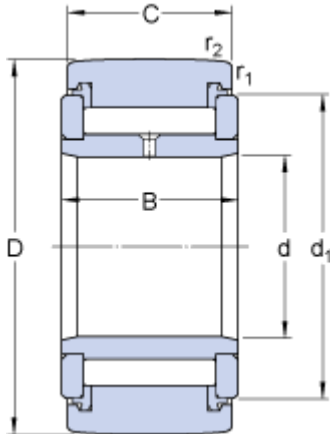


NATV 10 PPA

Dimensions



D	30	mm
d	10	mm
C	14	mm
B	15	mm
d ₁	23	mm
r _{1,2}	min. 0.6	mm

Calculation data

Basic dynamic load rating	C	8.97	kN
Basic static load rating	C	14.6	kN
Fatigue load limit	P _u	1.66	kN
Maximum dynamic radial loads	F _r	max. 11	kN
Maximum static radial loads	F _{0r}	max. 15.6	kN
Limiting speed		3200	r/min

Mass

Mass support roller		0.064	kg
---------------------	--	-------	----