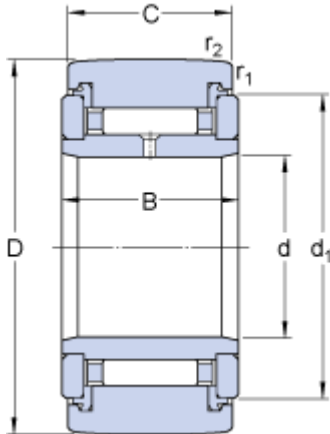


# NATR 6 PPA

## Dimensions



D	19	mm
d	6	mm
C	11	mm
B	12	mm
d <sub>1</sub>	15	mm
r <sub>1,2</sub>	min. 0.15	mm

## Calculation data

Basic dynamic load rating	C	3.47	kN
Basic static load rating	C	3.8	kN
Fatigue load limit	P <sub>u</sub>	0.415	kN
Maximum dynamic radial loads	F <sub>r</sub>	max. 3.8	kN
Maximum static radial loads	F <sub>0r</sub>	max. 5.5	kN
Limiting speed		5600	r/min

## Mass

Mass support roller		0.019	kg
---------------------	--	-------	----