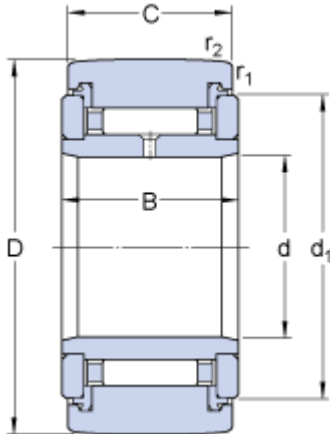


NATR 35 PPA

Dimensions



D	72	mm
d	35	mm
C	28	mm
B	29	mm
d ₁	58	mm
r _{1,2}	min. 1.1	mm

Calculation data

Basic dynamic load rating	C	24.6	kN
Basic static load rating	C	43	kN
Fatigue load limit	P _u	5.3	kN
Maximum dynamic radial loads	F _r	max. 33.5	kN
Maximum static radial loads	F _{0r}	max. 48	kN
Limiting speed		1600	r/min

Mass

Mass support roller		0.55	kg
---------------------	--	------	----