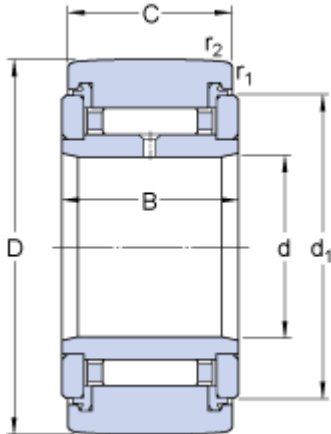


# NATR 30 PPA

## Dimensions



D	62	mm
d	30	mm
C	28	mm
B	29	mm
d <sub>1</sub>	51	mm
r <sub>1,2</sub>	min. 1	mm

## Calculation data

Basic dynamic load rating	C	22.9	kN
Basic static load rating	C	37.5	kN
Fatigue load limit	P <sub>u</sub>	4.55	kN
Maximum dynamic radial loads	F <sub>r</sub>	max. 26.5	kN
Maximum static radial loads	F <sub>0r</sub>	max. 38	kN
Limiting speed		1800	r/min

## Mass

Mass support roller		0.44	kg
---------------------	--	------	----