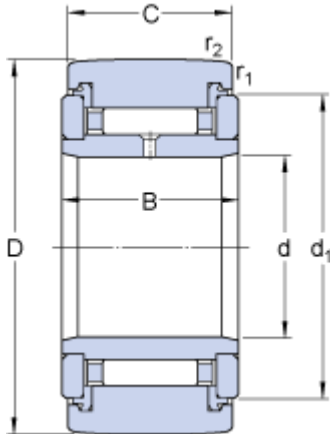


NATR 20 PPA

Dimensions



D	47	mm
d	20	mm
C	24	mm
B	25	mm
d ₁	36.5	mm
r _{1,2}	min. 1	mm

Calculation data

Basic dynamic load rating	C	14.7	kN
Basic static load rating	C	24.5	kN
Fatigue load limit	P _u	2.9	kN
Maximum dynamic radial loads	F _r	max. 23.6	kN
Maximum static radial loads	F _{0r}	max. 33.5	kN
Limiting speed		3000	r/min

Mass

Mass support roller		0.24	kg
---------------------	--	------	----