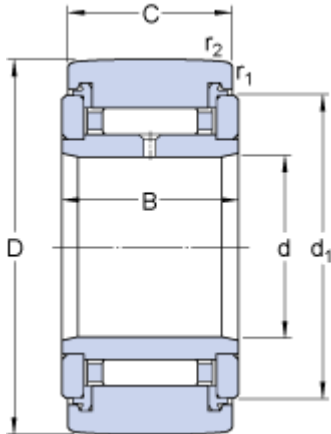


NATR 17 PPA

Dimensions



D	40	mm
d	17	mm
C	20	mm
B	21	mm
d ₁	31.5	mm
r _{1,2}	min. 1	mm

Calculation data

Basic dynamic load rating	C	10.5	kN
Basic static load rating	C	14.6	kN
Fatigue load limit	P _u	1.73	kN
Maximum dynamic radial loads	F _r	max. 12.5	kN
Maximum static radial loads	F _{0r}	max. 18	kN
Limiting speed		3400	r/min

Mass

Mass support roller		0.14	kg
---------------------	--	------	----