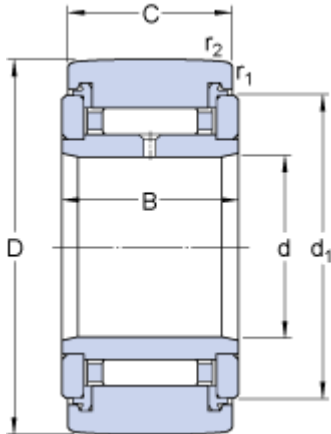


NATR 12 PPA

Dimensions



D	32	mm
d	12	mm
C	14	mm
B	15	mm
d ₁	25	mm
r _{1,2}	min. 0.6	mm

Calculation data

Basic dynamic load rating	C	6.6	kN
Basic static load rating	C	8.5	kN
Fatigue load limit	P _u	0.95	kN
Maximum dynamic radial loads	F _r	max. 7.65	kN
Maximum static radial loads	F _{0r}	max. 10.8	kN
Limiting speed		4500	r/min

Mass

Mass support roller		0.066	kg
---------------------	--	-------	----