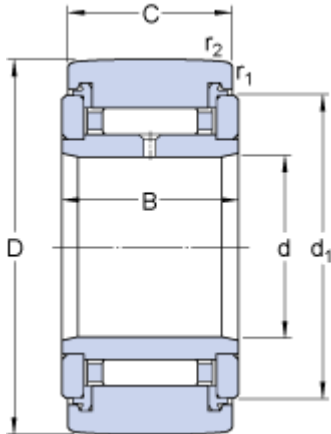


# NATR 10 PPA

## Dimensions



D	30	mm
d	10	mm
C	14	mm
B	15	mm
d <sub>1</sub>	23	mm
r <sub>1,2</sub>	min. 0.6	mm

## Calculation data

Basic dynamic load rating	C	6.44	kN
Basic static load rating	C	8	kN
Fatigue load limit	P <sub>u</sub>	0.88	kN
Maximum dynamic radial loads	F <sub>r</sub>	max. 7.8	kN
Maximum static radial loads	F <sub>0r</sub>	max. 11.2	kN
Limiting speed		4800	r/min

## Mass

Mass support roller	0.059	kg
---------------------	-------	----