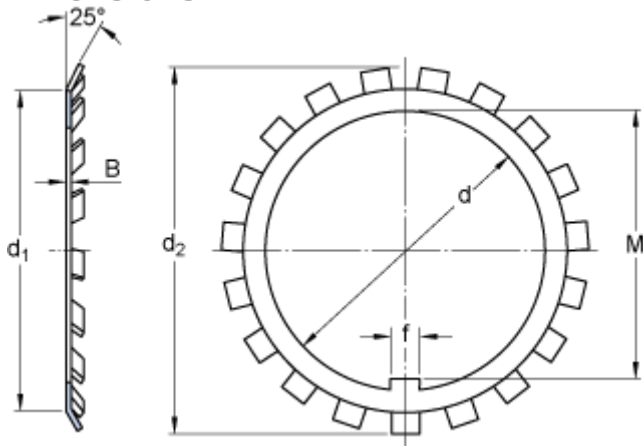


# MB 3

## Dimensions



|       |      |    |
|-------|------|----|
| $d$   | 17   | mm |
| $d_1$ | 24   | mm |
| $d_2$ | 32   | mm |
| $B$   | 1    | mm |
| $f$   | 4    | mm |
| $M$   | 15.5 | mm |

## Mass

Mass lock washer

0.003

kg