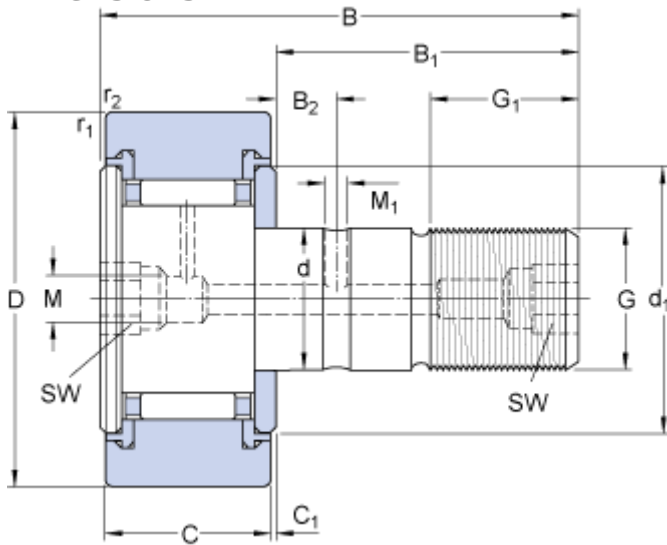


KR 40 PPXA

Dimensions



D	40	mm
d	18	mm
B	58	mm
C	20	mm
B ₁	36.5	mm
B ₂	8	mm
C ₁	0.8	mm
d ₁	31.5	mm
G	M 18x1.5	
G ₁	19	mm
M	6	mm
M ₁	3	mm
SW	8	mm
r _{1,2}	min. 1	mm

Calculation data

Basic dynamic load rating	C	10.5	kN
Basic static load rating	C	14.6	kN
Fatigue load limit	P _u	1.73	kN
Maximum dynamic radial loads	F _r	max. 12.5	kN
Maximum static radial loads	F _{0r}	max. 18	kN
Limiting speed		3400	r/min

Mass

Mass cam follower	0.24	kg
-------------------	------	----

Mounting information

Recommended tightening torque	87	N·m
-------------------------------	----	-----

Included products

Grease fitting	NIP A2x7.5
Hexagonal nut	M 18x1.5

Associated products

Lubrication adapter	AP 8
---------------------	------

