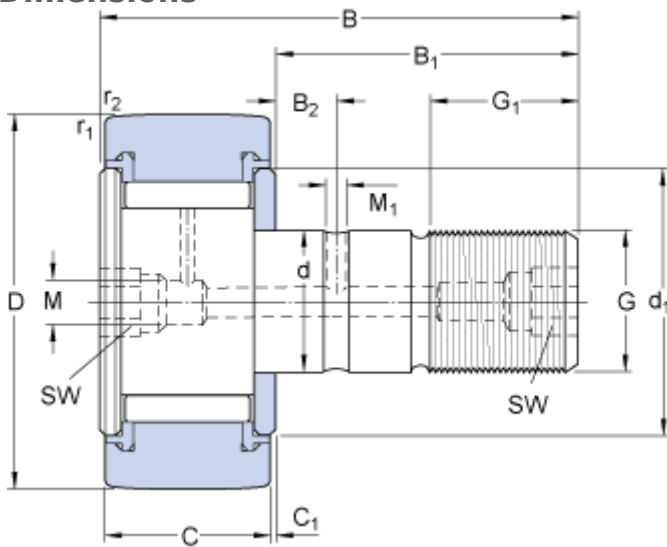


KRV 52 PPA

Dimensions



D	52	mm
d	20	mm
B	66	mm
C	24	mm
B ₁	40.5	mm
B ₂	9	mm
C ₁	0.8	mm
d ₁	36.5	mm
G	M 20x1.5	
G ₁	21	mm
M	6	mm
M ₁	4	mm
SW	10	mm
r _{1,2}	min. 1	mm

Calculation data

Basic dynamic load rating	C	20.9	kN
Basic static load rating	C	46.5	kN
Fatigue load limit	P _u	5.6	kN
Maximum dynamic radial loads	F _r	max. 45	kN
Maximum static radial loads	F _{0r}	max. 64	kN
Limiting speed		1900	r/min

Mass

Mass cam follower	0.46	kg
-------------------	------	----

Mounting information

Recommended tightening torque	120	N·m
-------------------------------	-----	-----

Included products

Grease fitting	NIP A2x7.5
Hexagonal nut	M 20x1.5

Associated products

Lubrication adapter	AP 10
---------------------	-------

