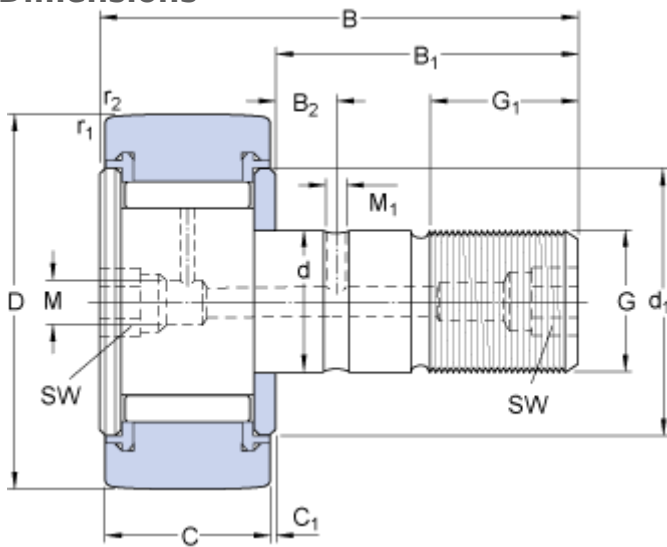


KRV 30 PPA

Dimensions



D	30	mm
d	12	mm
B	40	mm
C	14	mm
B ₁	25	mm
B ₂	6	mm
C ₁	0.6	mm
d ₁	23	mm
G	M 12x1.5	
G ₁	13	mm
M	4	mm
M ₁	3	mm
SW	6	mm
r _{1,2}	min. 0.6	mm

Calculation data

Basic dynamic load rating	C	8.97	kN
Basic static load rating	C	14.6	kN
Fatigue load limit	P _u	1.66	kN
Maximum dynamic radial loads	F _r	max. 11	kN
Maximum static radial loads	F _{0r}	max. 15.6	kN
Limiting speed		3200	r/min

Mass

Mass cam follower	0.091	kg
-------------------	-------	----

Mounting information

Recommended tightening torque	22	N·m
-------------------------------	----	-----

Included products

Grease fitting	NIP A1x4.5
Hexagonal nut	M 12x1.5