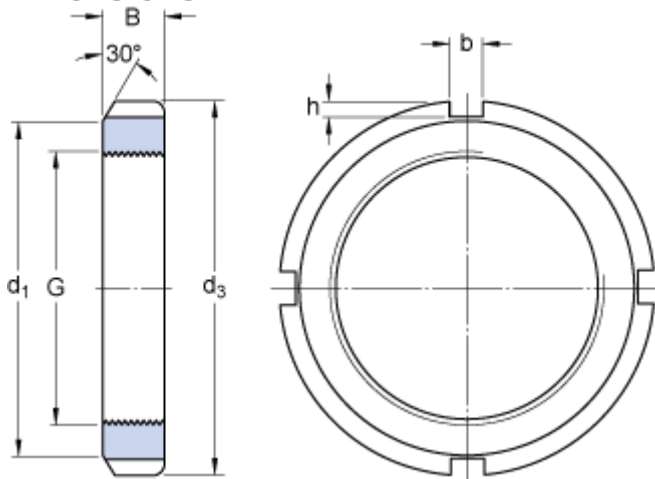


KM 9

Dimensions



| | | |
|-------|----------|----|
| G | M 45x1.5 | |
| d_3 | 65 | mm |
| B | 10 | mm |
| d_1 | 56 | mm |
| b | 6 | mm |
| h | 2.5 | mm |

Calculation data

Axial static load carrying capacity 78 kN

Mass

Mass lock nut 0.11 kg

Mounting information

Associated spanner HN 8-9

Associated products

Lock washer / Locking clip [MB 9](#)