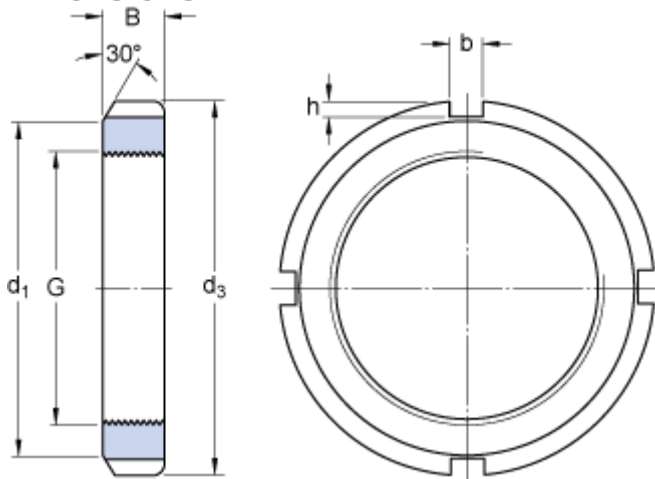


KM 8

Dimensions



G	M 40x1.5	
d_3	58	mm
B	9	mm
d_1	50	mm
b	6	mm
h	2.5	mm

Calculation data

Axial static load carrying capacity 62 kN

Mass

Mass lock nut 0.078 kg

Mounting information

Associated spanner HN 8-9

Associated products

Lock washer / Locking clip [MB 8](#)