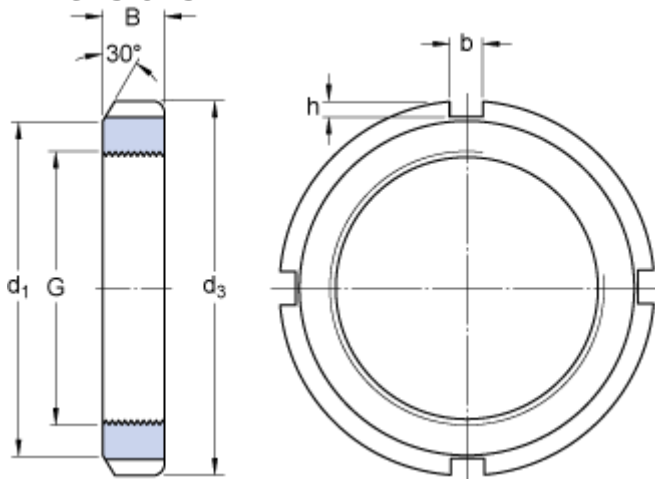


KM 7

Dimensions



G	M 35x1.5	
d_3	52	mm
B	8	mm
d_1	44	mm
b	5	mm
h	2	mm

Calculation data

Axial static load carrying capacity 50 kN

Mass

Mass lock nut 0.059 kg

Mounting information

Associated spanner HN 7

Associated products

Lock washer / Locking clip [MB 7](#)