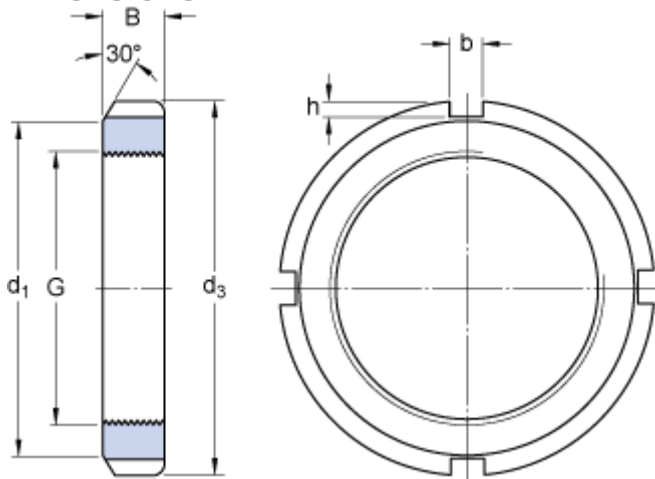


KM 6

Dimensions



G	M 30x1.5	
d ₃	45	mm
B	7	mm
d ₁	38	mm
b	5	mm
h	2	mm

Calculation data

Axial static load carrying capacity 36.5 kN

Mass

Mass lock nut 0.039 kg

Mounting information

Associated spanner HN 5-6

Associated products

Lock washer / Locking clip [MB 6](#)