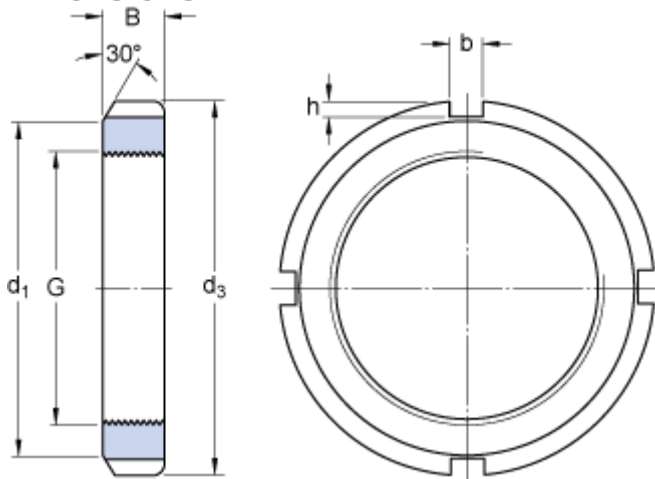


KM 5

Dimensions



G	M 25x1.5	
d_3	38	mm
B	7	mm
d_1	32	mm
b	5	mm
h	2	mm

Calculation data

Axial static load carrying capacity 31.5 kN

Mass

Mass lock nut 0.028 kg

Mounting information

Associated spanner HN 5-6

Associated products

Lock washer / Locking clip [MB 5](#)