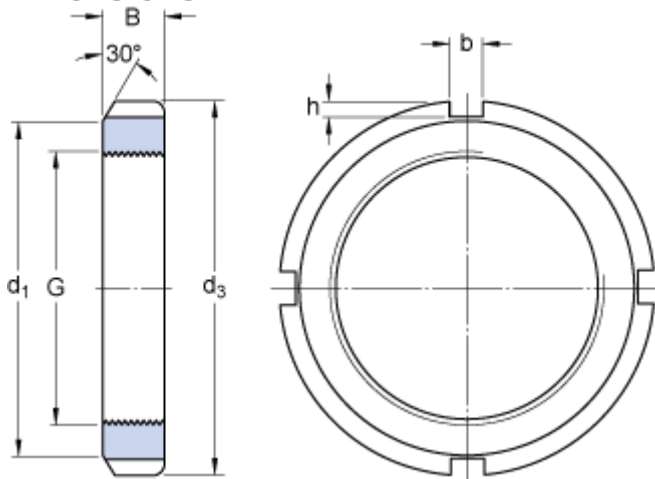


KM 4

Dimensions



G	M 20x1	
d_3	32	mm
B	6	mm
d_1	26	mm
b	4	mm
h	2	mm

Calculation data

Axial static load carrying capacity 24 kN

Mass

Mass lock nut 0.025 kg

Mounting information

Associated spanner HN 4

Associated products

Lock washer / Locking clip [MB 4](#)