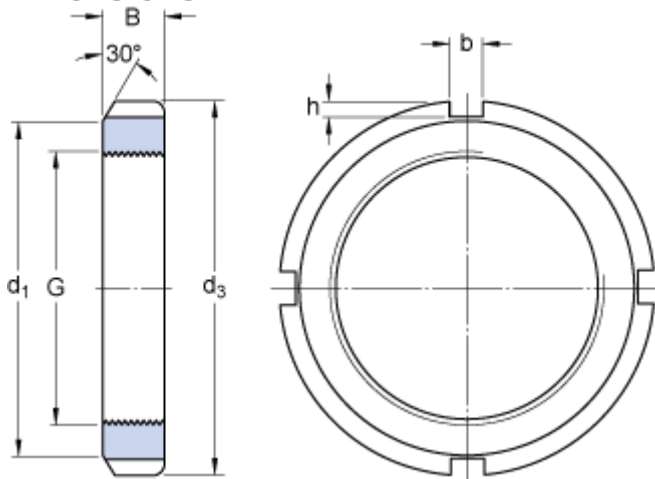


KM 40

Dimensions



G	M 200x3	
d_3	250	mm
B	29	mm
d_1	226	mm
b	18	mm
h	8	mm

Calculation data

Axial static load carrying capacity 735 kN

Mass

Mass lock nut 3.35 kg

Mounting information

Associated spanner TMFN 30-40

Associated products

Lock washer / Locking clip [MB 40](#)