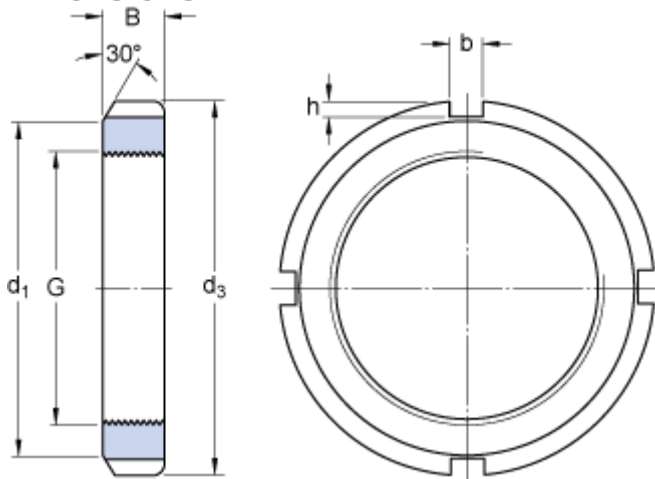


KM 3

Dimensions



G	M 17x1	
d ₃	28	mm
B	5	mm
d ₁	24	mm
b	4	mm
h	2	mm

Calculation data

Axial static load carrying capacity 19.6 kN

Mass

Mass lock nut 0.012 kg

Mounting information

Associated spanner HN 2-3

Associated products

Lock washer / Locking clip [MB 3](#)