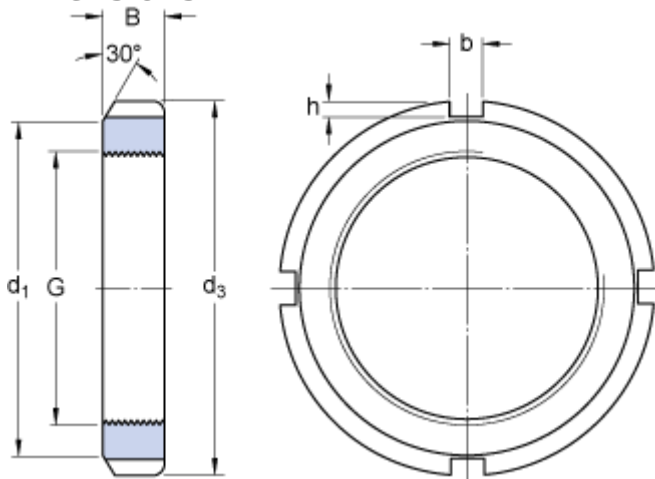


KM 38

Dimensions



G	M 190x3	
d_3	240	mm
B	28	mm
d_1	214	mm
b	18	mm
h	8	mm

Calculation data

Axial static load carrying capacity	695	kN
-------------------------------------	-----	----

Mass

Mass lock nut	3.05	kg
---------------	------	----

Mounting information

Associated spanner	TMFN 30-40
--------------------	------------

Associated products

Lock washer / Locking clip	MB 38
----------------------------	-----------------------