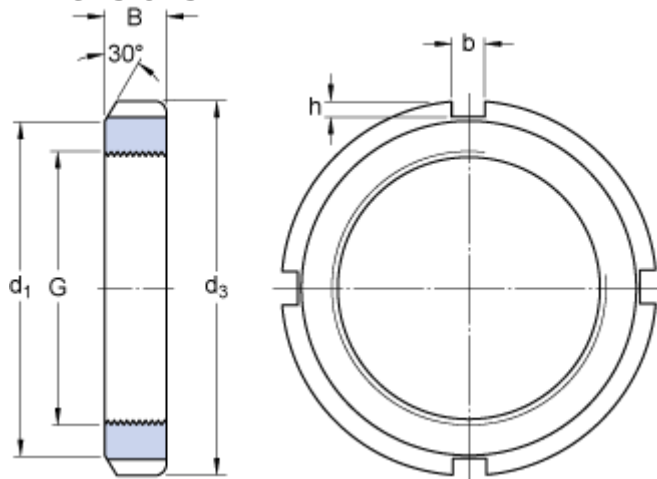


KM 36

Dimensions



G	M 180x3	
d ₃	230	mm
B	27	mm
d ₁	203	mm
b	18	mm
h	8	mm

Calculation data

Axial static load carrying capacity	670	kN
-------------------------------------	-----	----

Mass

Mass lock nut	2.8	kg
---------------	-----	----

Mounting information

Associated spanner	TMFN 30-40
--------------------	------------

Associated products

Lock washer / Locking clip	MB 36
----------------------------	-----------------------