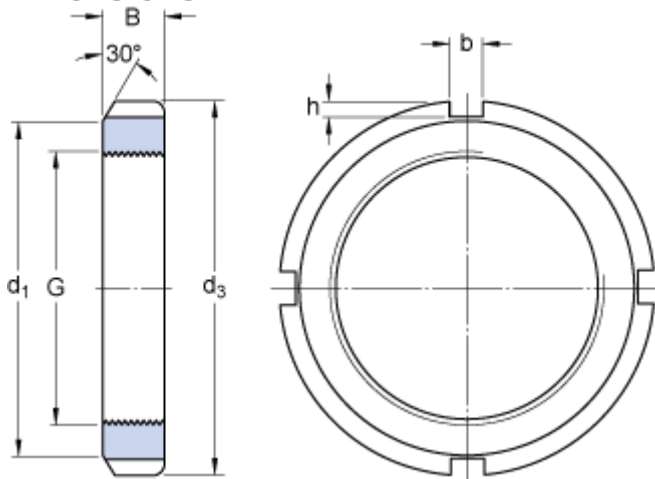


# KM 34

## Dimensions



G	M 170x3	
$d_3$	220	mm
B	26	mm
$d_1$	193	mm
b	16	mm
h	7	mm

## Calculation data

Axial static load carrying capacity	620	kN
-------------------------------------	-----	----

## Mass

Mass lock nut	2.35	kg
---------------	------	----

## Mounting information

Associated spanner	TMFN 30-40
--------------------	------------

## Associated products

Lock washer / Locking clip	<a href="#">MB 34</a>
----------------------------	-----------------------