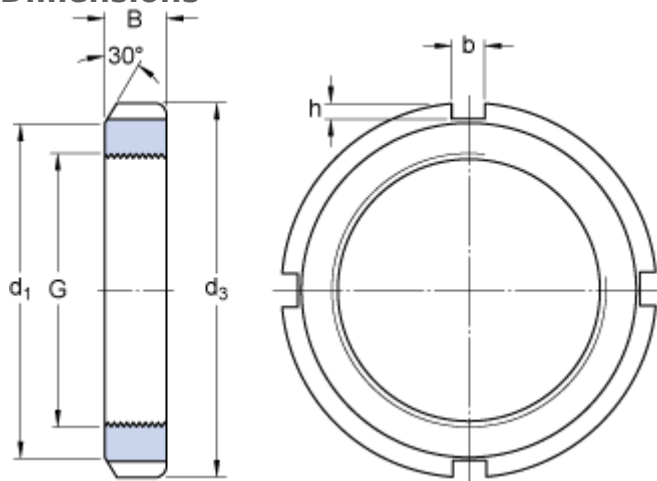


# KM 32

## Dimensions



G	M 160x3	
$d_3$	210	mm
B	25	mm
$d_1$	182	mm
b	16	mm
h	7	mm

## Calculation data

Axial static load carrying capacity 585 kN

## Mass

Mass lock nut 2.3 kg

## Mounting information

Associated spanner TMFN 30-40

## Associated products

Lock washer / Locking clip [MB 32](#)