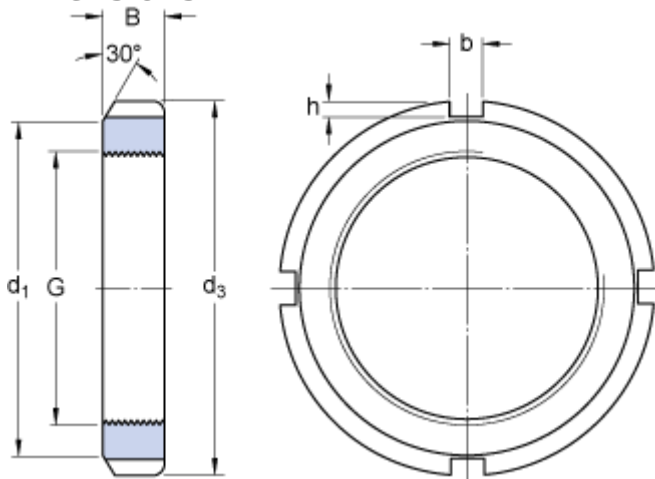


KM 30

Dimensions



G	M 150x2	
d ₃	195	mm
B	24	mm
d ₁	171	mm
b	14	mm
h	6	mm

Calculation data

Axial static load carrying capacity 530 kN

Mass

Mass lock nut 1.9 kg

Mounting information

Associated spanner TMFN 23-30

Associated products

Lock washer / Locking clip [MB 30](#)