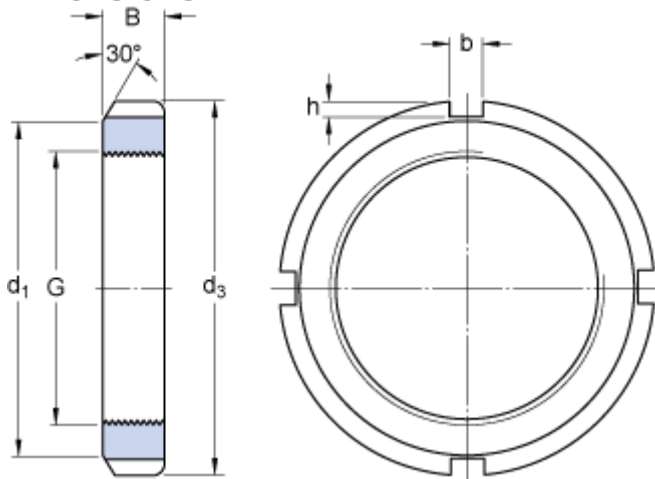


# KM 2

## Dimensions



G	M 15x1	
d <sub>3</sub>	25	mm
B	5	mm
d <sub>1</sub>	21	mm
b	4	mm
h	2	mm

## Calculation data

Axial static load carrying capacity 14.6 kN

## Mass

Mass lock nut 0.009 kg

## Mounting information

Associated spanner HN 2-3

## Associated products

Lock washer / Locking clip [MB 2](#)