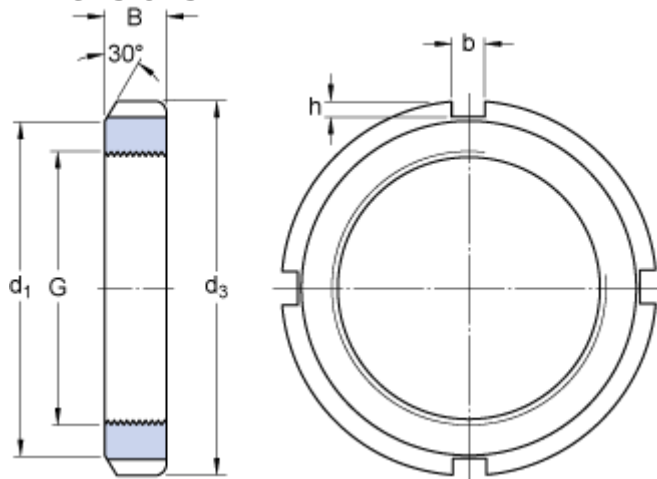


# KM 29

## Dimensions



G	M 145x2	
$d_3$	190	mm
B	24	mm
$d_1$	171	mm
b	14	mm
h	6	mm

## Calculation data

Axial static load carrying capacity	520	kN
-------------------------------------	-----	----

## Mass

Mass lock nut	1.8	kg
---------------	-----	----

## Mounting information

Associated spanner	TMFN 23-30
--------------------	------------

## Associated products

Lock washer / Locking clip	<a href="#">MB 29</a>
----------------------------	-----------------------