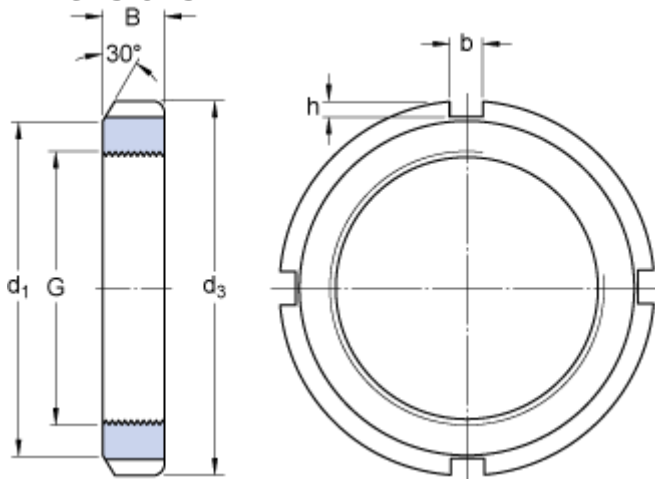


KM 26

Dimensions



| | | |
|-------|---------|----|
| G | M 130x2 | |
| d_3 | 165 | mm |
| B | 21 | mm |
| d_1 | 149 | mm |
| b | 12 | mm |
| h | 5 | mm |

Calculation data

| | | |
|-------------------------------------|-----|----|
| Axial static load carrying capacity | 365 | kN |
|-------------------------------------|-----|----|

Mass

| | | |
|---------------|-----|----|
| Mass lock nut | 1.1 | kg |
|---------------|-----|----|

Mounting information

| | |
|--------------------|------------|
| Associated spanner | TMFN 23-30 |
|--------------------|------------|

Associated products

| | |
|----------------------------|-----------------------|
| Lock washer / Locking clip | MB 26 |
|----------------------------|-----------------------|