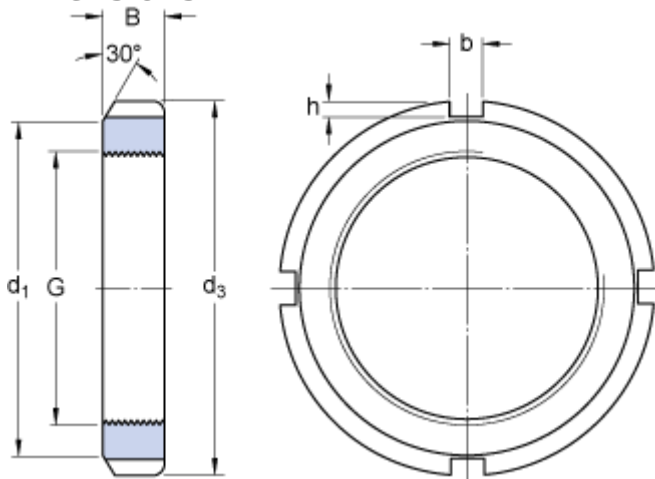


KM 24

Dimensions



G	M 120x2	
d ₃	155	mm
B	20	mm
d ₁	138	mm
b	12	mm
h	5	mm

Calculation data

Axial static load carrying capacity	340	kN
-------------------------------------	-----	----

Mass

Mass lock nut	0.97	kg
---------------	------	----

Mounting information

Associated spanner	TMFN 23-30
--------------------	------------

Associated products

Lock washer / Locking clip	MB 24
----------------------------	-----------------------