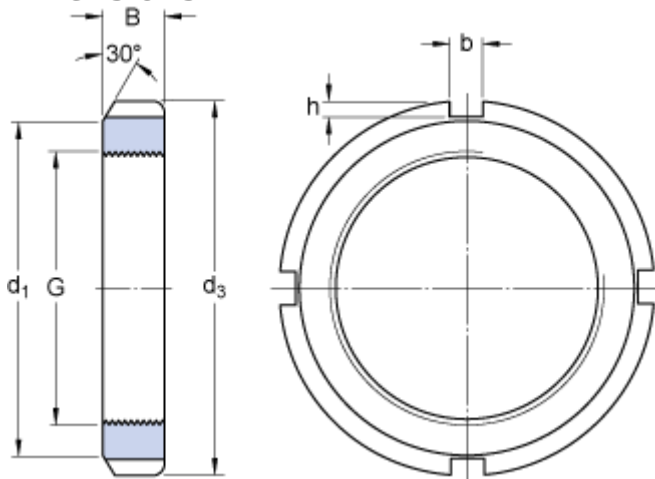


# KM 22

## Dimensions



G	M 110x2	
$d_3$	145	mm
B	19	mm
$d_1$	133	mm
b	12	mm
h	5	mm

## Calculation data

Axial static load carrying capacity	310	kN
-------------------------------------	-----	----

## Mass

Mass lock nut	0.87	kg
---------------	------	----

## Mounting information

Associated spanner	HN 21-22
--------------------	----------

## Associated products

Lock washer / Locking clip	<a href="#">MB 22</a>
----------------------------	-----------------------