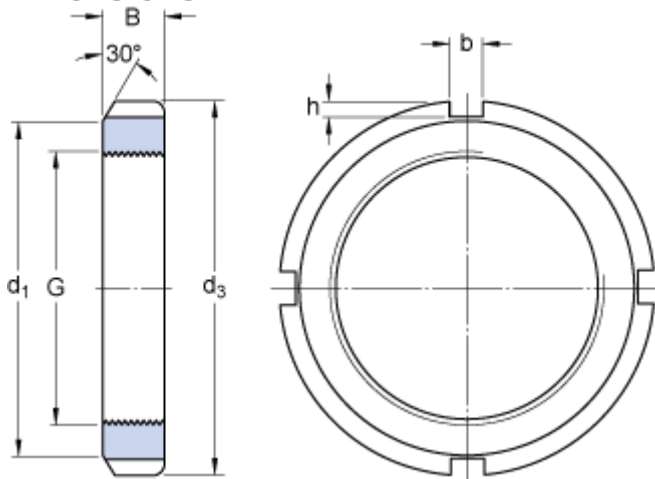


# KM 21

## Dimensions



|       |         |    |
|-------|---------|----|
| G     | M 105x2 |    |
| $d_3$ | 140     | mm |
| B     | 18      | mm |
| $d_1$ | 126     | mm |
| b     | 12      | mm |
| h     | 5       | mm |

## Calculation data

Axial static load carrying capacity 290 kN

## Mass

Mass lock nut 0.79 kg

## Mounting information

Associated spanner HN 21-22

## Associated products

Lock washer / Locking clip [MB 21](#)