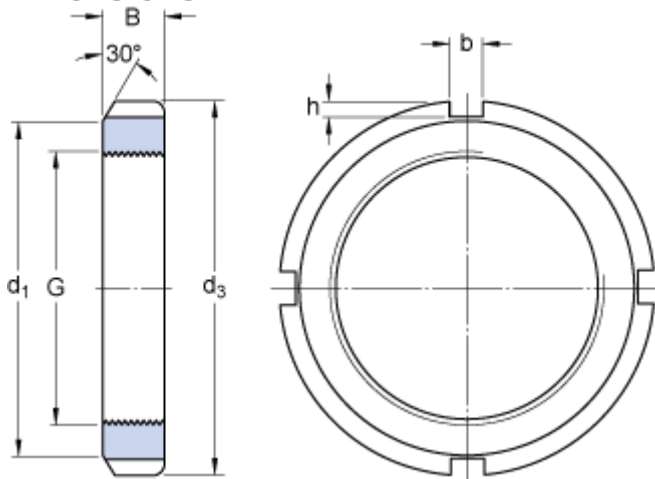


KM 20

Dimensions



G	M 100x2	
d_3	130	mm
B	18	mm
d_1	120	mm
b	10	mm
h	4	mm

Calculation data

Axial static load carrying capacity 255 kN

Mass

Mass lock nut 0.64 kg

Mounting information

Associated spanner HN 18-20

Associated products

Lock washer / Locking clip [MB 20](#)