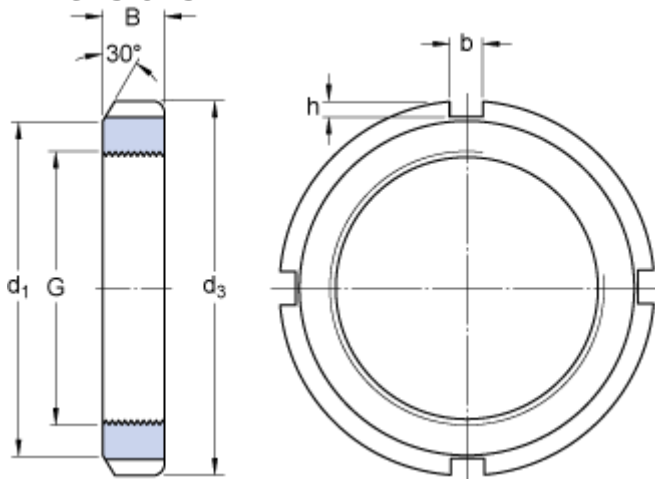


# KM 1

## Dimensions



G	M 12x1	
$d_3$	22	mm
B	4	mm
$d_1$	17	mm
b	3	mm
h	2	mm

## Calculation data

Axial static load carrying capacity 11.8 kN

## Mass

Mass lock nut 0.006 kg

## Mounting information

Associated spanner HN 1

## Associated products

Lock washer / Locking clip [MB 1](#)