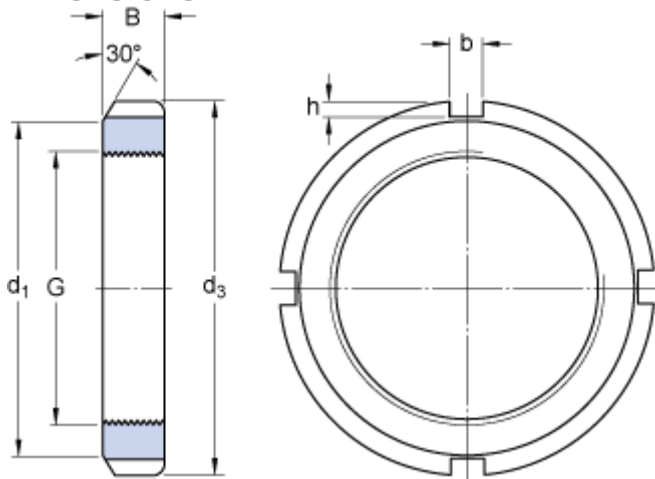


KM 18

Dimensions



G	M 90x2	
d ₃	120	mm
B	16	mm
d ₁	108	mm
b	10	mm
h	4	mm

Calculation data

Axial static load carrying capacity 216 kN

Mass

Mass lock nut 0.51 kg

Mounting information

Associated spanner HN 18-20

Associated products

Lock washer / Locking clip [MB 18](#)