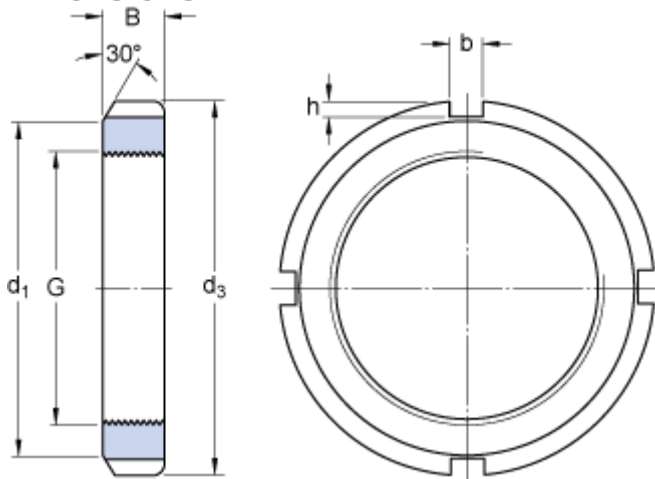


KM 14

Dimensions



G	M 70x2	
d_3	92	mm
B	12	mm
d_1	85	mm
b	8	mm
h	3.5	mm

Calculation data

Axial static load carrying capacity 118 kN

Mass

Mass lock nut 0.23 kg

Mounting information

Associated spanner HN 14

Associated products

Lock washer / Locking clip [MB 14](#)