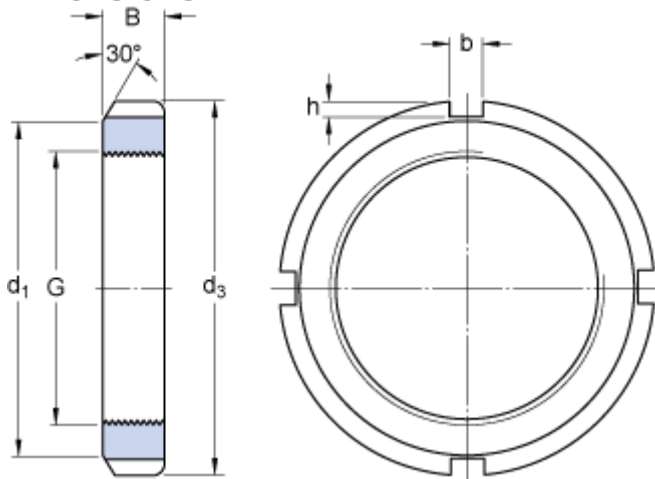


KM 13

Dimensions



| | | |
|-------|--------|----|
| G | M 65x2 | |
| d_3 | 85 | mm |
| B | 12 | mm |
| d_1 | 79 | mm |
| b | 7 | mm |
| h | 3 | mm |

Calculation data

Axial static load carrying capacity 108 kN

Mass

Mass lock nut 0.19 kg

Mounting information

Associated spanner HN 12-13

Associated products

Lock washer / Locking clip [MB 13](#)