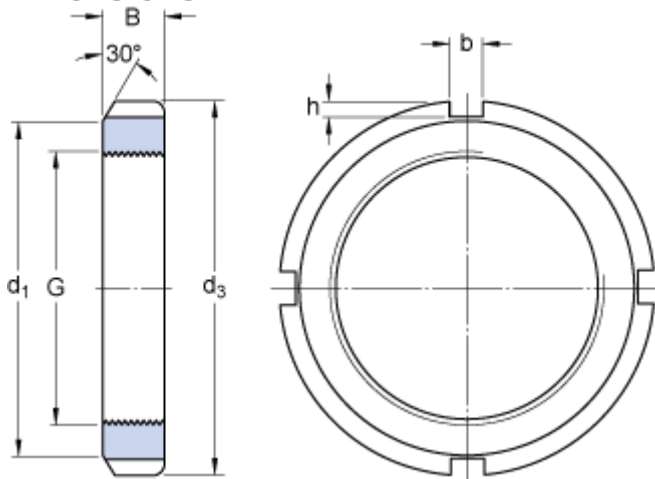


KM 11

Dimensions



| | | |
|-------|--------|----|
| G | M 55x2 | |
| d_3 | 75 | mm |
| B | 11 | mm |
| d_1 | 67 | mm |
| b | 7 | mm |
| h | 3 | mm |

Calculation data

| | | |
|-------------------------------------|------|----|
| Axial static load carrying capacity | 91.5 | kN |
|-------------------------------------|------|----|

Mass

| | | |
|---------------|------|----|
| Mass lock nut | 0.15 | kg |
|---------------|------|----|

Mounting information

| | |
|--------------------|----------|
| Associated spanner | HN 10-11 |
|--------------------|----------|

Associated products

| | |
|----------------------------|-----------------------|
| Lock washer / Locking clip | MB 11 |
|----------------------------|-----------------------|