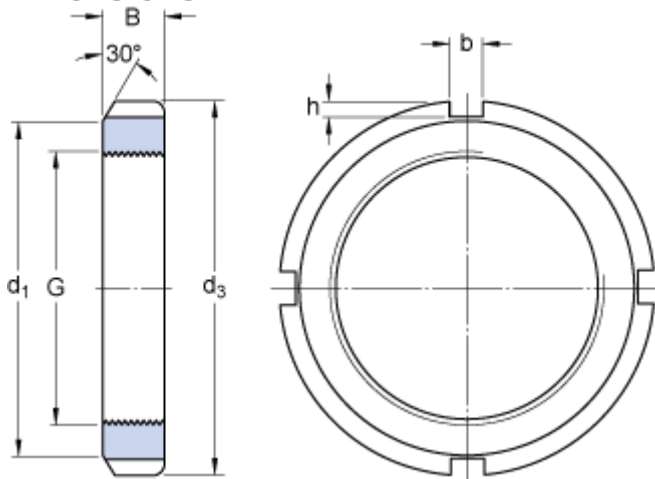


KM 0

Dimensions



G	M 10x0.75	
d_3	18	mm
B	4	mm
d_1	13.5	mm
b	3	mm
h	2	mm

Calculation data

Axial static load carrying capacity 9.8 kN

Mass

Mass lock nut 0.004 kg

Mounting information

Associated spanner HN 0

Associated products

Lock washer / Locking clip [MB 0](#)