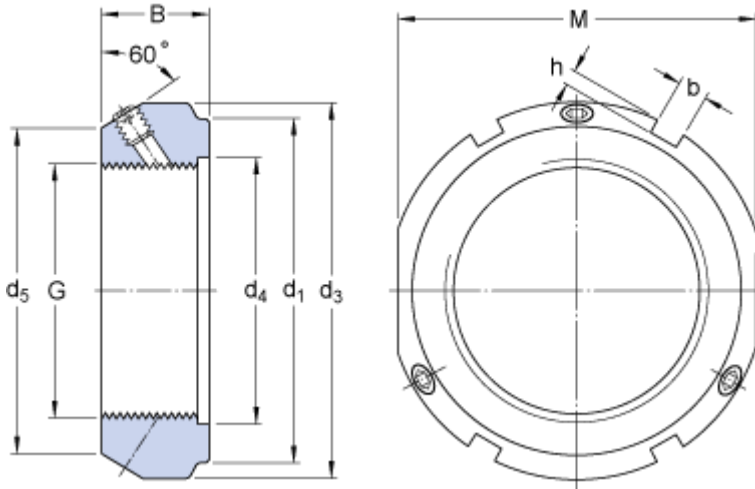


# KMT 9

## Dimensions



G	M 45x1.5	
d <sub>1</sub>	64	mm
B	22	mm
d <sub>3</sub>	70	mm
d <sub>4</sub>	48	mm
d <sub>5</sub>	60	mm
M	65	mm
b	6	mm
h	2.5	mm

## Calculation data

Axial static load carrying capacity 240 kN

## Mass

Mass 0.33 kg

## Mounting information

Associated spanner (Hook spanner in accordance with DIN 1810) HN 10-11

Grub (set) / Locking screw size M 8

Recommended tightening torque 18 N·m