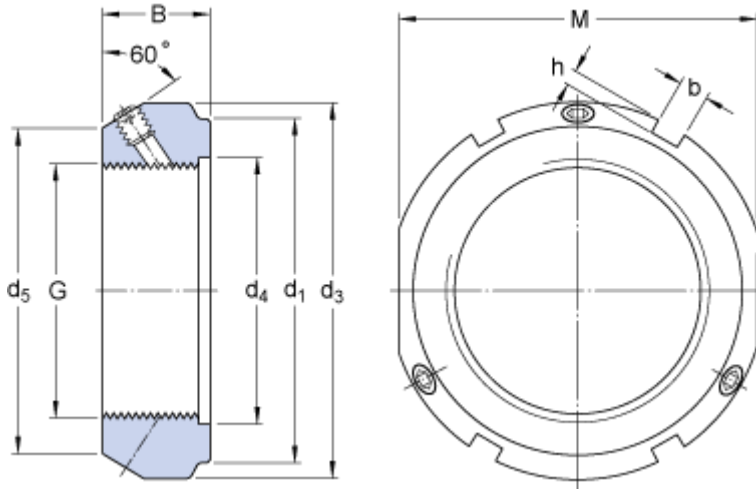


# KMT 8

## Dimensions



G	M 40x1.5	
d <sub>1</sub>	59	mm
B	22	mm
d <sub>3</sub>	65	mm
d <sub>4</sub>	42	mm
d <sub>5</sub>	54	mm
M	60	mm
b	6	mm
h	2.5	mm

## Calculation data

Axial static load carrying capacity	210	kN
-------------------------------------	-----	----

## Mass

Mass	0.3	kg
------	-----	----

## Mounting information

Associated spanner (Hook spanner in accordance with DIN 1810)	HN 8-9
Grub (set) / Locking screw size	M 8
Recommended tightening torque	18 N·m