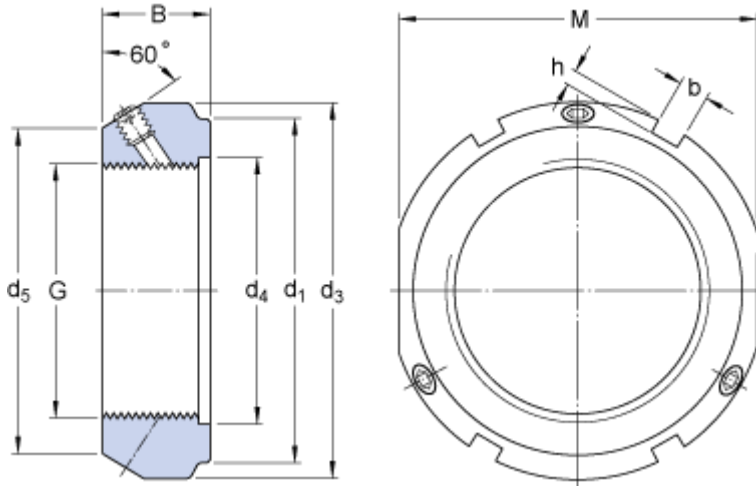


KMT 6

Dimensions



G	M 30x1.5	
d ₁	44	mm
B	20	mm
d ₃	49	mm
d ₄	32	mm
d ₅	41	mm
M	46	mm
b	5	mm
h	2	mm

Calculation data

Axial static load carrying capacity	160	kN
-------------------------------------	-----	----

Mass

Mass	0.16	kg
------	------	----

Mounting information

Associated spanner (Hook spanner in accordance with DIN 1810)	HN 7
Grub (set) / Locking screw size	M 6
Recommended tightening torque	8 N·m